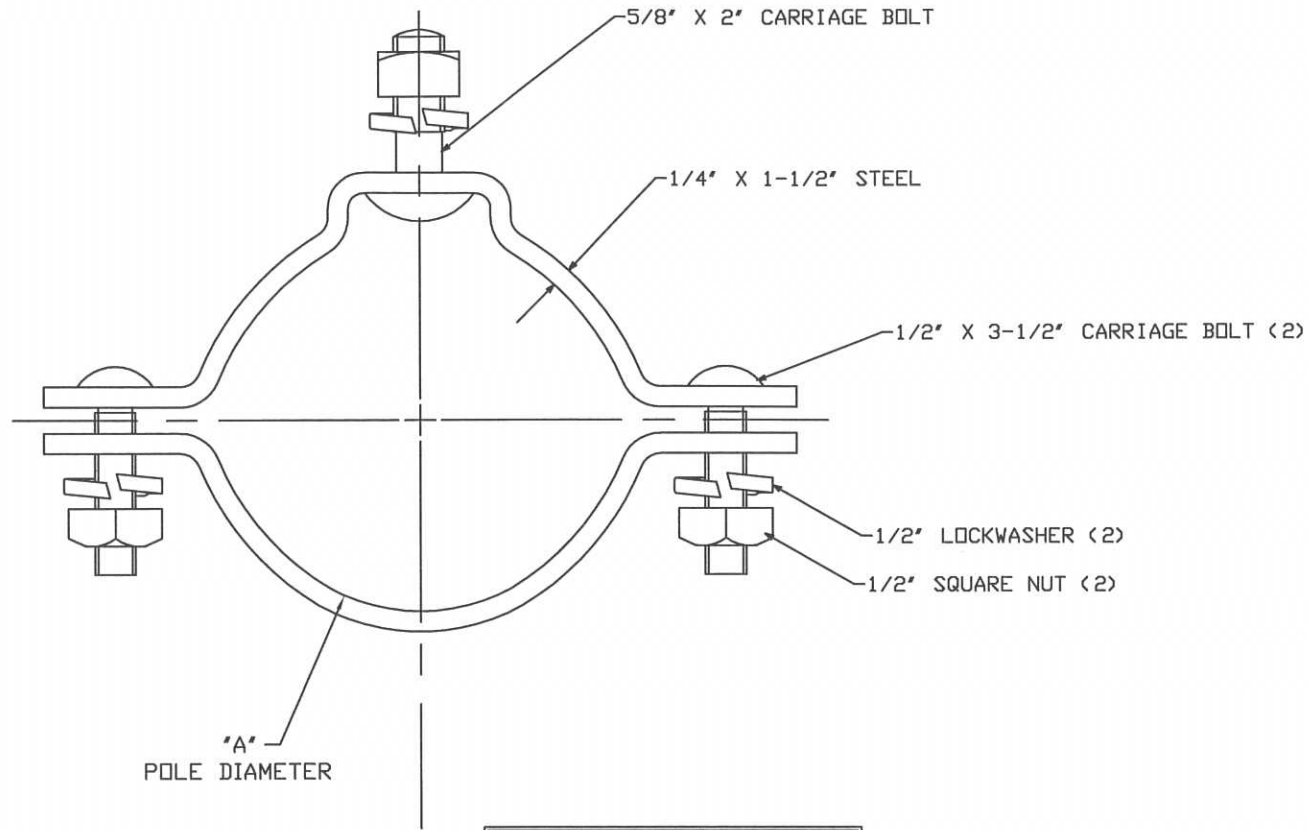


==NOTE==

1. MAT'L: STEEL HOT DIP GALVANIZE PER ASTM A153 (LATEST REV'N).



CAT. NO.	"A"
DG4B1	2.5 - 3
DG4B2	3 - 3.5
DG4B3	3.5 - 4
DG4B4	4 - 4.5

CHANCE  
TOLERANCE CHART

CONFIDENTIAL: THIS DRAWING AND ITS CONTENTS ARE CONFIDENTIAL AND THE EXCLUSIVE PROPERTY OF HUBBELL POWER SYSTEMS. NO PUBLICATION, DISTRIBUTION OR COPIES MAY BE MADE WITHOUT THE WRITTEN CONSENT OF HUBBELL POWER SYSTEMS. HUBBELL POWER SYSTEMS UNPUBLISHED. ALL RIGHTS RESERVED UNDER THE COPYRIGHT LAWS.



HUBBELL POWER SYSTEMS

TITLE  
POLE BAND  
SINGLE OFFSET

SIZE	DWG NO.	CAT / PART / ASSY NO.	REV
DO NOT SCALE THIS DRAWING	SB SADG4B	SEE CHART	A
DRN BY WILSON	DATE 03/01/11	SHEET 01	OF 01